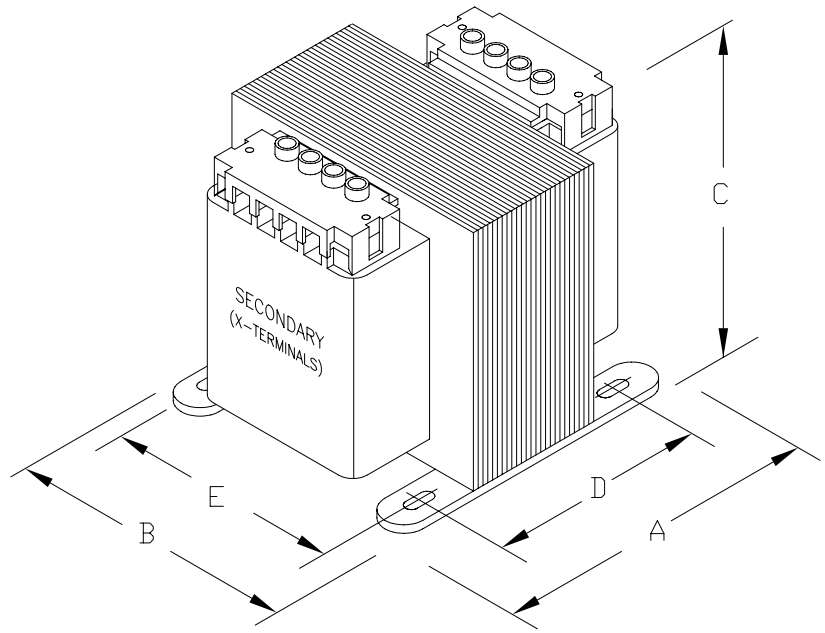


CONNECTION DIAGRAM



PROVIDED WITH SAFE TOUCH TERMINAL COVERS.
 NO INTEGRAL FUSING CAPABILITY.

DIMENSIONS							APPROX. WT. LBS (KG)
	A	B	C	D	E	MTG. SLOTS	
INCHES (MM)	3.38 (86)	3.75 (95)	3.50 (89)	2.44 (62)	3.13 (79)	0.203X0.460 (5.1X11.7)	



CAT. NO. B100-2013-GA		CONST. ENCAPSULATED		LISTED CERTIFIED IEC 61558	
		MODEL GLOBALTRAN			
RATING					
OUTPUT AMPS	4.17	PRIMARY V	240X480	TEMP. CLASS	HZ 50/60
VA	100	SECONDARY V	24	105°C	REVISION G